

BUILT-IN™

An innovation by SOLYD

For 40 years, SOLYD in partnership with actors in the field has been offering innovative and high-performance solutions for connecting DRINKING WATER to homes worldwide.

The "BUILT-IN™" box is made of hot-moulded fibreglass reinforced polyester.

BUILT-IN BOX OF POLYESTER ARIH



The BUILT-IN™ box:

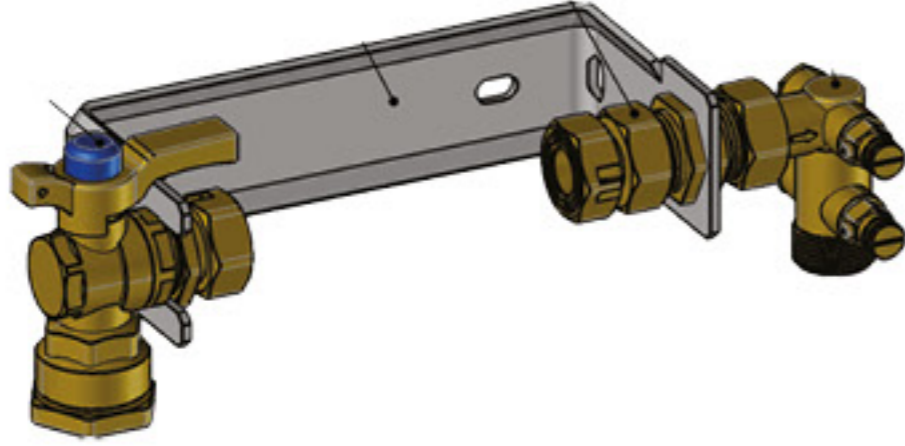
- Especially designed for outside installation in difficult environments (use T°: -25°C to +40°C)
- Isolating door seal
- UV resistant enclosure, as per IEC 62208
- Resistant to impacts IK 09, as per IEC 62262
- Protection IP 43
- Thermal stability as per IEC 60068-2-2
- Corrosion resistance, as per IEC 60068-2-30

RANGE BUILT-IN

EQUIPMENT OF OUR BOX

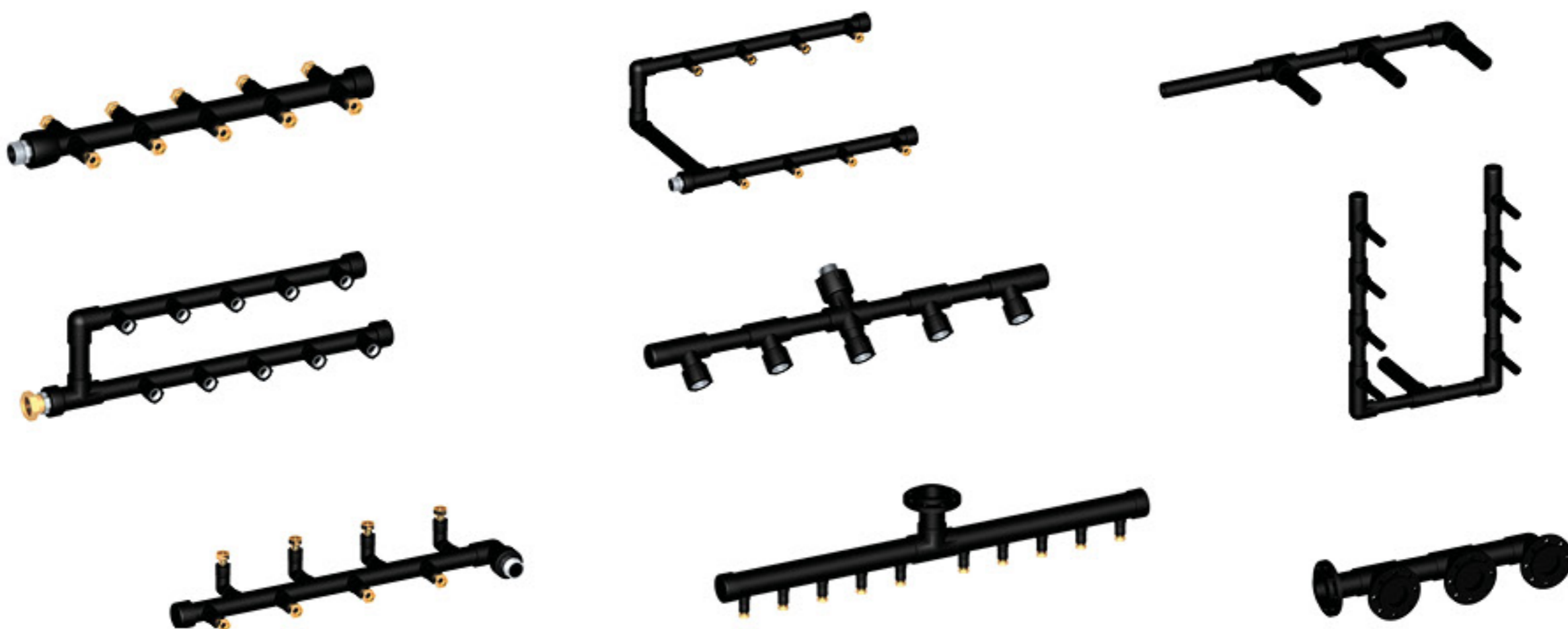
RAPIDSET™ REF: RSI5341OFCC

Our "BUILT-IN™" box is equipped with our meter support rail "RAPIDSET™" and connection to the system with manifold in HDPE.



- Rail for meter 110 mm
- Inlet: Valve 90° SE25 - EP 3/4"
- Outlet: Valve 90° male 3/4"

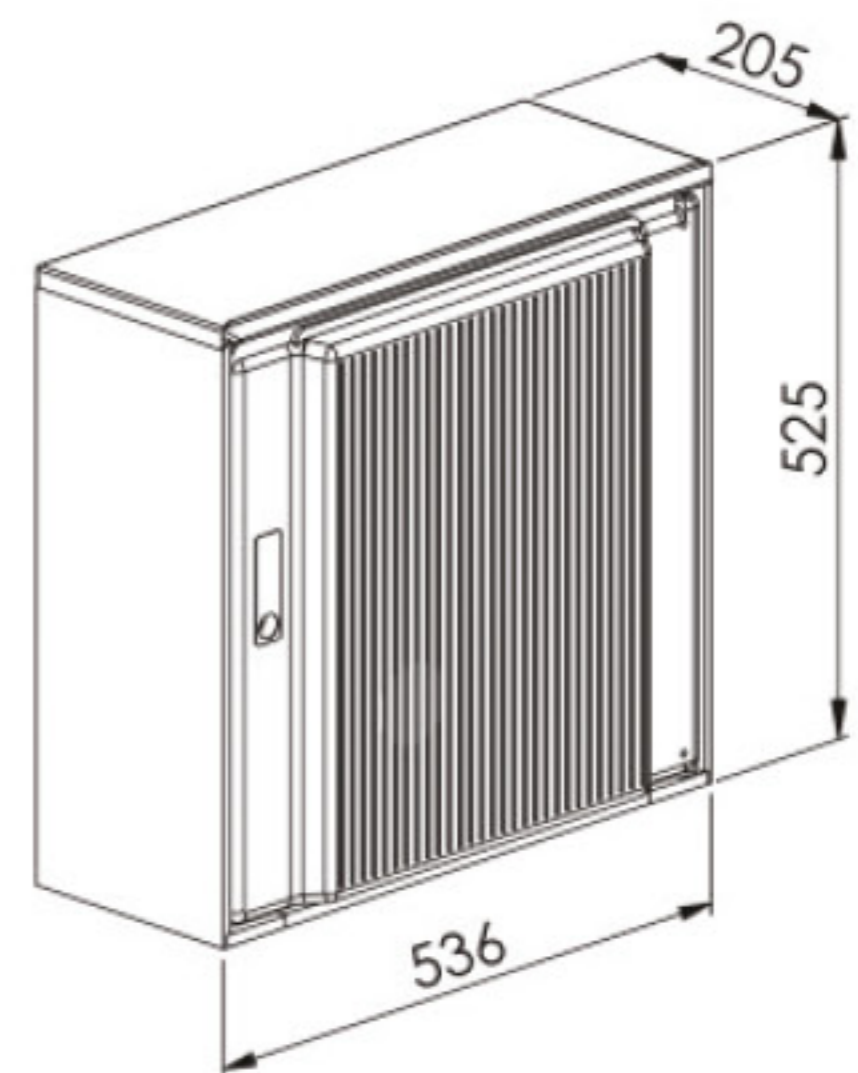
MANIFOLDS HDPE



MVM METERS



Dimensions: 536 x 525 x 205 mm



SOLYD
Know-how and reactivity
For the fluidity of your projects

www.solyd.com - tél: 04 74 01 35 52 - fax: 04 74 01 37 92 - contact@solyd.com

Z.I NORD DE LA PONTCHONNIÈRE - SAVIGNY - BP 0078 - 69210 L'ARBRESLE CEDEX